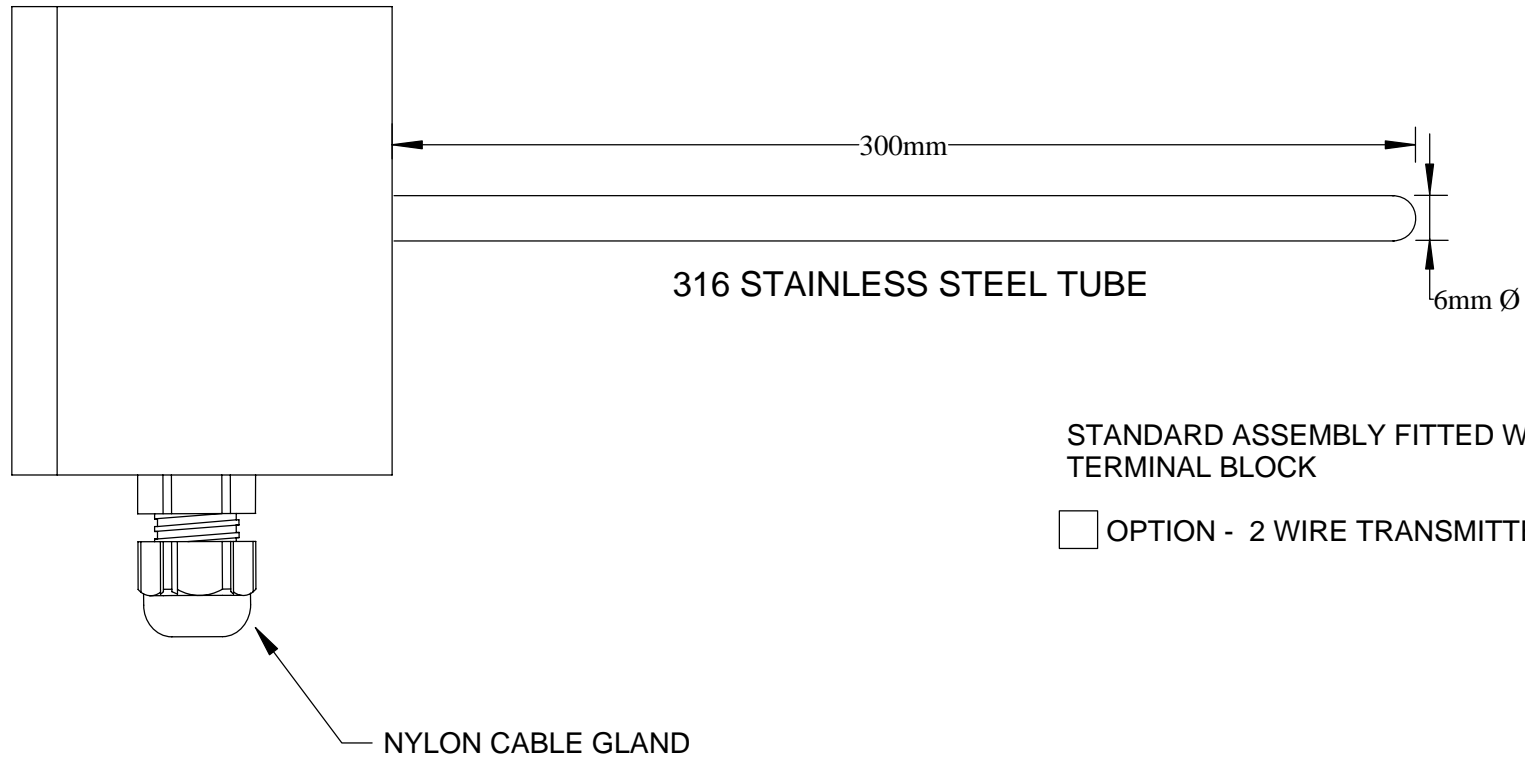


TCIIPINDRENH

80 x 80mm Polycarbonate Box (grey colour)
65mm Deep

RTD PT100 3 WIRE



STANDARD ASSEMBLY FITTED WITH 3 WAY
TERMINAL BLOCK

OPTION - 2 WIRE TRANSMITTER 4-20 mA OUTPUT

**RTD PT100 CLASS A 3 WIRE
INDUSTRIAL AIR SENSOR
PART NO. TCIIPINDRENH
POLYCARBONATE CASE RATED TO 125°C**

TEMPERATURE CONTROLS PTY LTD Certificate No: QEC 14412
AS/NZS 9001:2000

CONDITIONS

THIS DRAWING IS OUR
EXCLUSIVE PROPERTY
AND MUST NOT BE
COPIED OR HANDED
TO ANY OTHER PARTIES
WITH OUT WRITTEN
PERMISSION. IT SHALL
BE RETURNED UPON
REQUEST

SYDNEY : 7 YAMMA ST SEFTON , NSW 2162
PHONE : (02) 9721 8644 FAX : (02) 9738 9339
MELBOURNE : 8/280 Whitehall St
YARRAVILLE VIC 3013
PHONE : (03) 9687 0000 FAX : (03) 9687 1900
EMAIL : sales@temperature.com.au



TITLE

SIZE : A4	DATE : 02/10/12	DWG NO : SD 596NH
SCALE : NTS	DRAWING BY R.B	REV : 01